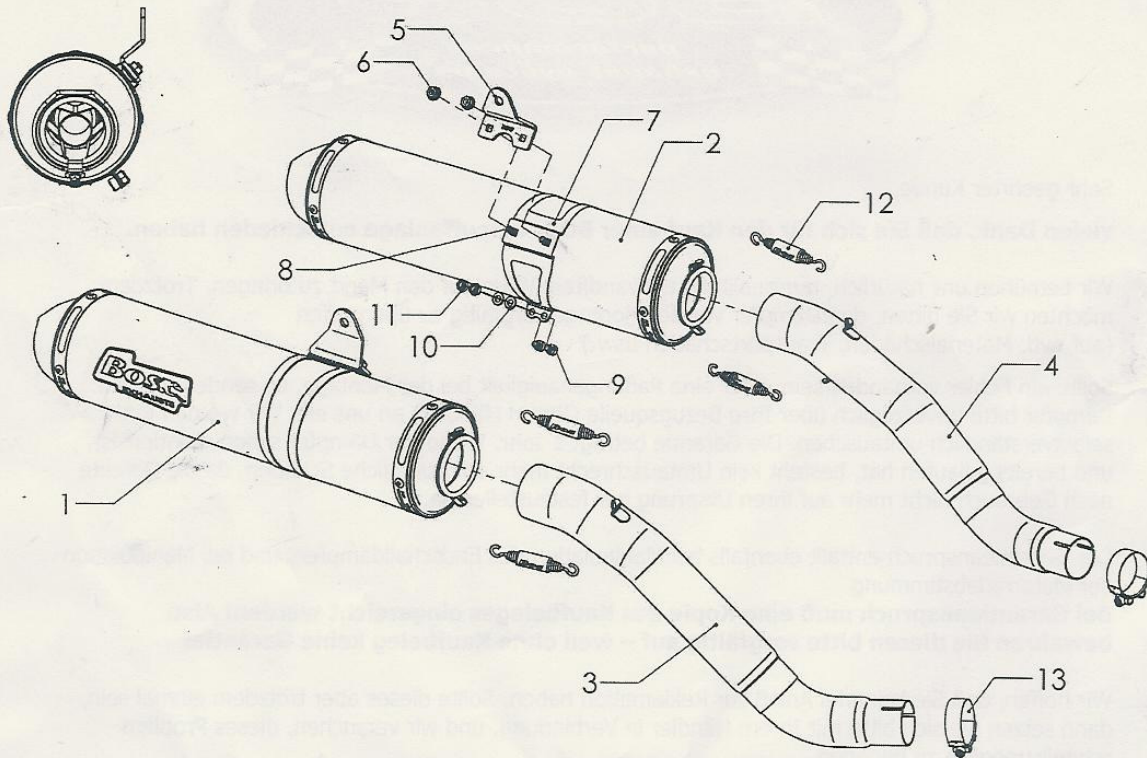


Yamaha**BT1100 Bulldog - BosOriginal****2004 and up**

Pos	Qty	Part No.	Description	Ordernumber
1	1	71298	Muffler BosOriginal Cs Right	80259 - 01311Cs - Carbon Steel
2	1	71298	Muffler BosOriginal Cs Left	
80259 Mounting Parts:				
3	1	73161	Link Pipe 01311 #1	Weight:
4	1	73162	Link Pipe 01311 #2	Original: 10,2 kg
5	2	64749	Mounting Bracket	Bos: 5,2 kg
Mounting Kit:				
6	2	14147	M6 Serrated nut	Noiselevel: @ 2750 rpm
7	1	64737	Clamp Bos Original	Original: Specified 83,0 dB(A)
8	4	14146	M6 x 12 Mushroom Bolt	Measured 83,0 dB(A)
9	4	14046	M6 x 10 Bolt	Bos: Ec appr. 84,0 dB(A)
10	4	14104	M6 Washer	Open 91,0 dB(A)
11	4	14036	M6 Lock Nut	
12	4	14087	Pull Spring 48 mm.	Performance
13	2	64638	Clamp 37-40	Bos: 57,2 Hp / 5406 rpm
Extra Parts:				
		50034	Dbeater 28 BosOriginal	Stock: 56,5 Hp / 5364 rpm
				Max. Hp incr.: + 4,7 Hp / 3941 rpm
				Max Nm incr.: + 11,3 Nm / 2753 rpm

Tips

In order to avoid smudges and fingerprints burning into the surface it is imperative to clean the exhaust before starting the engine, burnt in stains are very difficult to remove.
After 300 miles or 500 kms. check all nuts and bolts and retighten if necessary.

BosdempersExhaust production department
Bos Holland