

03SKIT

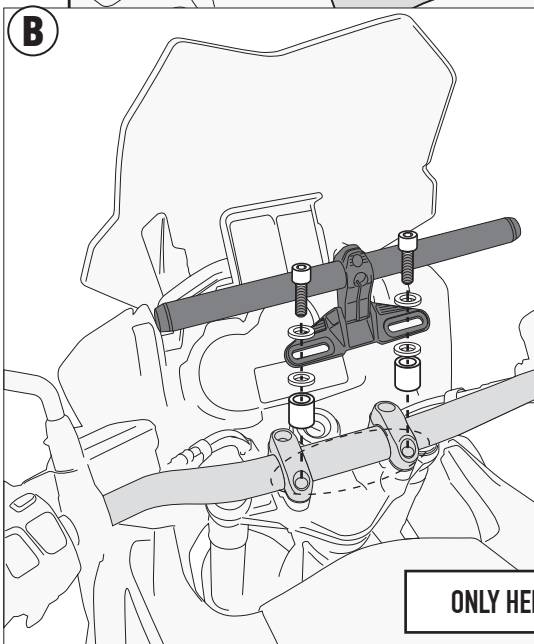
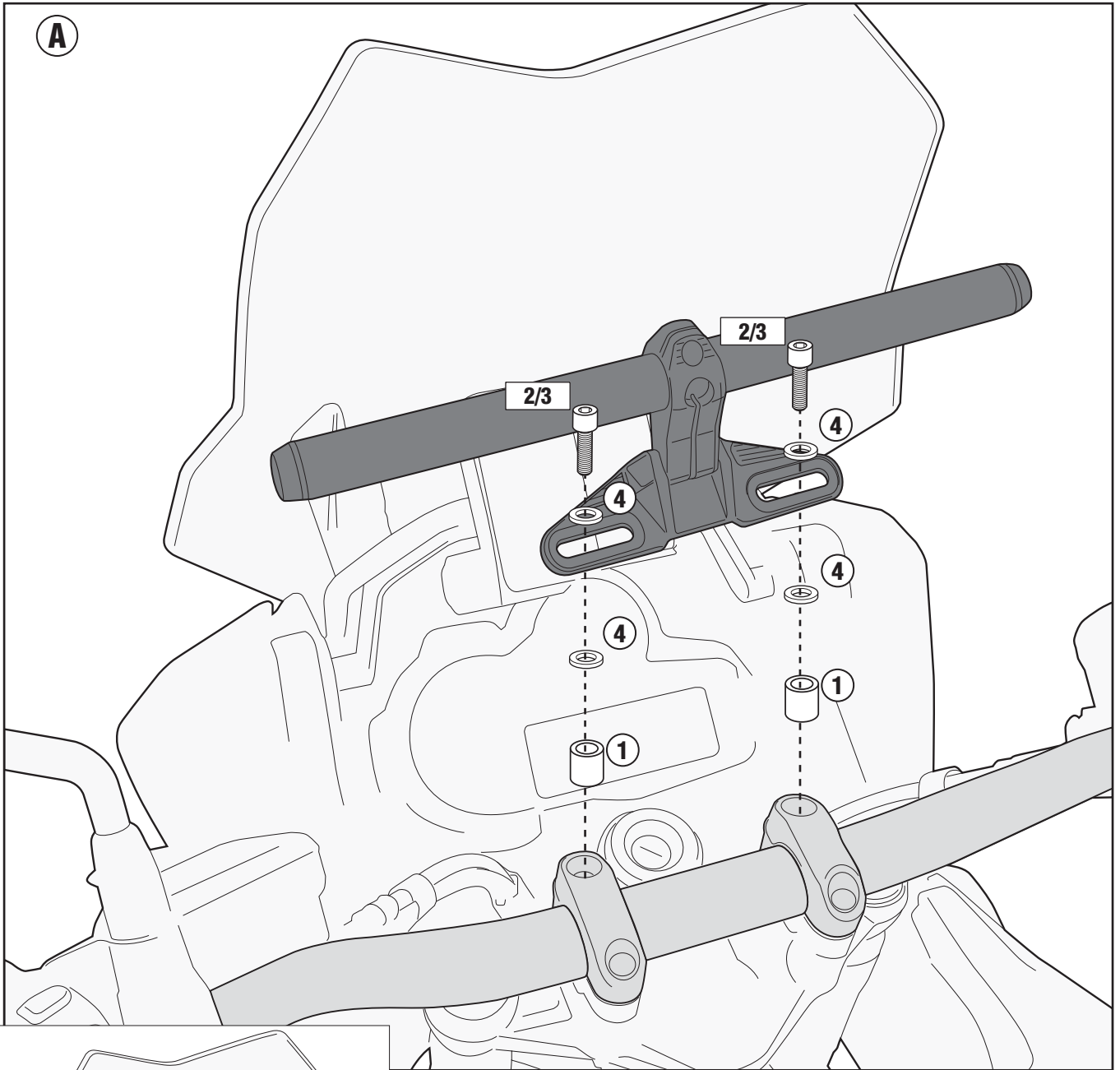
KIT PER SMART BAR/SMART MOUNT - KIT FOR SMART BAR/SMART MOUNT - KIT POUR SMART BAR/SMART MOUNT
 KIT FÜR SMART BAR/SMART MOUNT - KIT PARA SMART BAR/SMART MOUNT - KIT PARA SMART BAR/SMART MOUNT

N°	Descrizione	Caratteristiche	Codice	Quantità	
1	Distanziale - Spacer Entretoise - Distanzstueck Distanciador - Españador	Ø13x15 Foro 8mm	C13L15F8,5T	2	
2	Vite - Screw Vis - Schraube Tornillo - Parafuso	TCEI M8x50 INOX	850TCEX	2	
3	Vite - Screw Vis - Schraube Tornillo - Parafuso	TCEI M8x55 INOX	855TCEX	2	
4	Rondella - Washer Rondelle - Scheibe Arandela - Arruela	Ø8 INOX	8RONX	4	

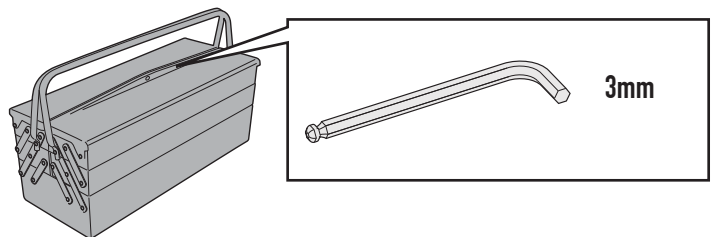
MARCA	MODELLO	850TCEX	855TCEX
BENELLI	BN302 (20015)	X	
BENELLI	BN600 (2013-2015)	X	
DUCATI	MONSTER S2R		X
DUCATI	MONSTER 695		X
DUCATI	HYPERSTRADA 821 (2013 - 2015)		X
DUCATI	HYPERMOTARD 821 (2013 - 2015)		X
DUCATI	HYPERMOTARD 796-1100 (2012 - 2014)	X	
DUCATI	MULTISTRADA 1200 (2015)		X(B)
HONDA	VARADERO 125 (2007-2014)		X
HONDA	TRANSALP 700 (2008-2013)		X
HONDA	CROSSRUNNER 800 (2015)		X
HONDA	CRF1000L AFRICAN TWIN (2016)		X(B)
HONDA	CROSSTOURER 1200/DCT (2012-2015)	X	
HONDA	CROSSTOURER 1200 (2015)		X
KAWASAKI	ER-6n (2009-2011)		X
KAWASAKI	ER-6f (2009-2011)		X
KAWASAKI	ER-6f (2012-2015)		X
KAWASAKI	VERSYS 650 (2006-2009)		X
KAWASAKI	VERSYS 650 (2012-2014)		X
KTM	DUKE 125-200-390 (2011-2015)		X

03SKIT

KIT PER SMART BAR/SMART MOUNT - KIT FOR SMART BAR/SMART MOUNT - KIT POUR SMART BAR/SMART MOUNT
KIT FÜR SMART BAR/SMART MOUNT - KIT PARA SMART BAR/SMART MOUNT - KIT PARA SMART BAR/SMART MOUNT



ONLY HERE



ISTRUZIONI DI MONTAGGIO - MOUNTING INSTRUCTIONS
INSTRUCTIONS DE MONTAGE - BAUANLEITUNG
INSTRUCCIONES DE MONTAJE - INSTRUÇÕES DE MONTAGEM