

Instruction manual for HIGHSIDER™ PW – NANO turn indicator relay

Item number: 208-014



The PW – NANO is an electronic, load independent turn indicator relay. The PW – NANO stabilize the flashing frequency of turn indicators. An easy and fast installation of your bulb or LED turn indicators to your Bike, Quad or ATV is assured.

The main advantages of the PW – NANO:

- Perfect for LED turn indicator conversions
- Wide load range from 0,1 to 42 Watt per side
- Suitable for 8-18 V operating voltage
- Easy and fast two cable installation
- Water- and shock proof design
- Tiny dimensions (L. 15 x W. 5 x H. 6 mm)
- Fit into common handle bar- or frame tubes

Installation: The installation shall be conducted by a qualified person according to the wiring diagram. Make sure to disconnect the battery from the electric system before installing the PW – NANO. Install the relay with a sufficient distance to hot engine parts.

A fuse (max. 10 A) is required to protect the electric system in case of any malfunction.

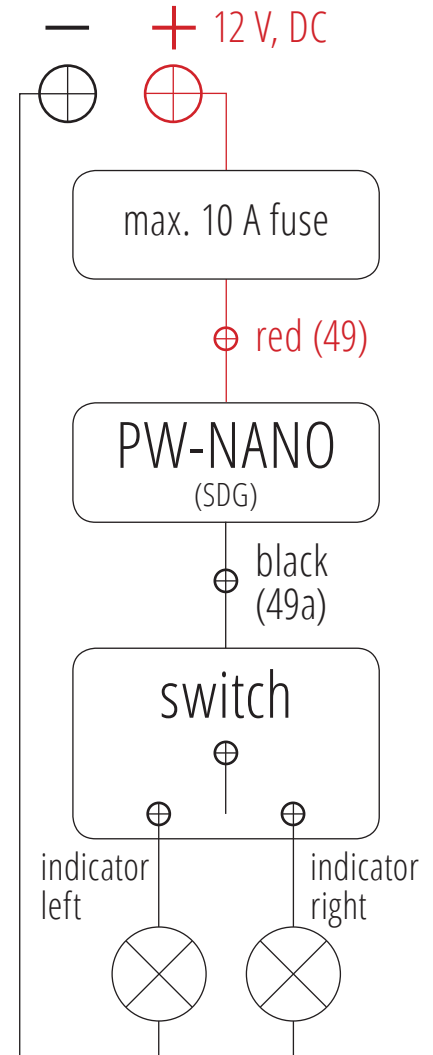
A reverse polarity or an overvoltage higher than 18 Volt can damage the relay. **ATTENTION: In case that all 4 turn indicators will permanently glow at the same time, you have to disconnect the power supply immediately!**

Do not exceed a max. load of 42 Watt per side (e.g. 2 x 21 Watt indicator per side). Always keep a minimum distance of 20 cm to electromagnetic interferences as ignition- coils or cables. Avoid mechanical stress on the relay body and cables.

Please check the correct function of the flasher relay before each ride!

Troubleshooting:

In rare cases it can happen, that LED turn indicators do not reach the required minimum load of 0.1 watt constantly. Then an ohmic resistor of 2.2 kOhm must be installed parallel to one indicator on each side.



Scan it!



For more HIGHSIDER™ products, please visit
www.highsider-germany.de

Exclusion of liability and guarantee regulation:

In case of inappropriate use or installation of the device, all guarantee claims and liability for direct or indirect or subsequent damage become invalid. Paaschburg & Wunderlich GmbH is not liable for any damage resulting usage, installation or connecting of the device. In particular the liability on damage to person and financial loss is excluded. The use of the device in public traffic is at owner's risk solely.