

Installation instruction



Universal footboards Order no. 10046001

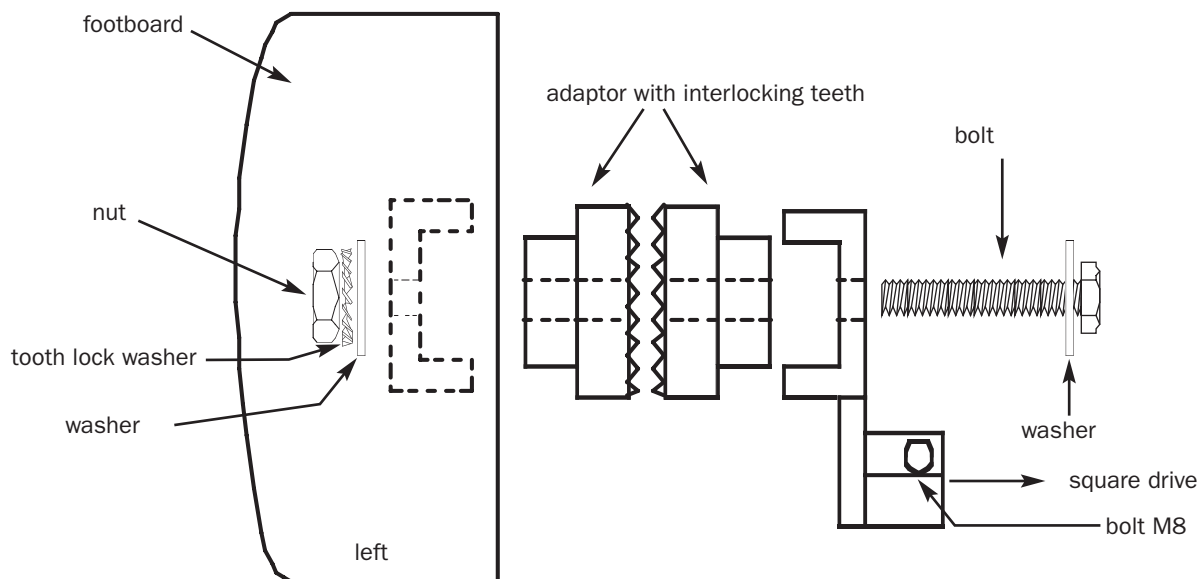
Only suitable as a rider's footboard. Not suitable for the pillion.
TÜV test certificate not included (individual TÜV test centre approval possible if necessary)



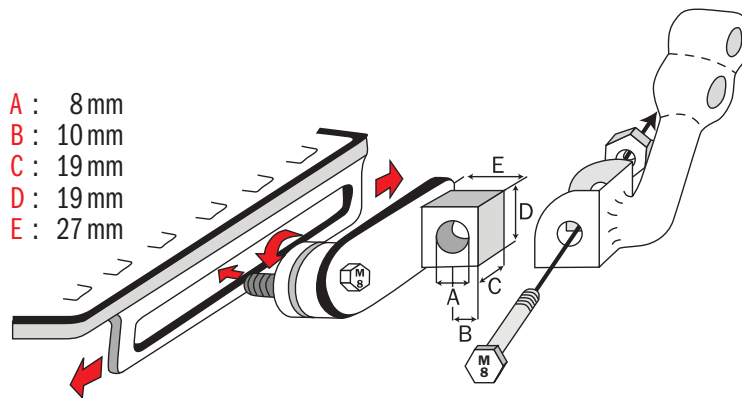
Parts list:

- 2 x M12x55 bolt
- 2 x M12 nut
- 4 x M12 washer
- 1 x footboard (right)
- 1 x footboard (left)
- 4 x adaptor with interlocking teeth
- 2 x square drive (right and left)
- 2 x M12 tooth lock washer
- 2 x M8x45 bolt
- 2 x M8 nut
- 4 x M8 washer
- 2 x M8 tooth lock washer

Since this is a universal product and not intended just for one particular vehicle, it is important to make sure that it is suitable for your type of vehicle before you use the product for the first time. Always follow the instructions in your vehicle operator's manual and the directions of the vehicle manufacturer. This is essential, as improper use of this product or its unsuitability for a vehicle could impair the safety and/or condition of the vehicle.



- A : 8 mm
- B : 10 mm
- C : 19 mm
- D : 19 mm
- E : 27 mm



If you have any questions about the product or these instructions, for prompt assistance please contact our Technical Centre by fax on +49 (40) 734 193-58, or by e-mail at technikcenter@louis.de
We will be pleased to provide prompt assistance. This is the best way to ensure that your product is installed properly and used correctly.