



MODEL SUZUKI DL 1000 V-STROM

YEAR 2014

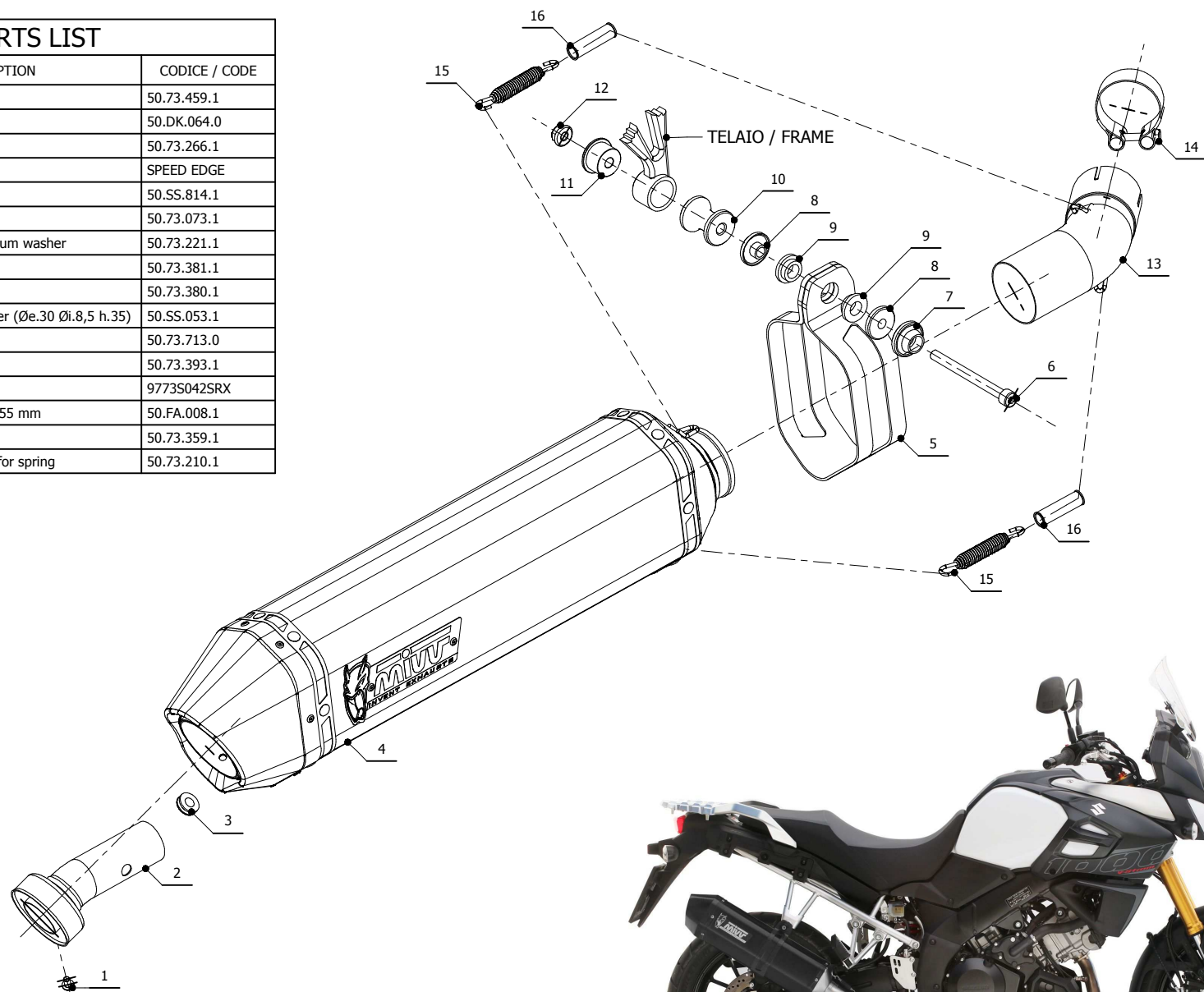
LINE SPORT

MUFFLER SPEED EDGE

SCHEMATIC

ELENCO PARTI / PARTS LIST

#	QTÀ / QTY	DESCRIZIONE / DESCRIPTION	CODICE / CODE
1	1	Vite M5 x 8 / Screw M5 x 8	50.73.459.1
2	1	DB killer / DB killer	50.DK.064.0
3	1	Tappo in gomma / Rubber stopper	50.73.266.1
4	1	Silenziatore / Muffler	SPEED EDGE
5	1	Staffa in carbonio / Carbon fiber bracket	50.SS.814.1
6	1	Vite M8x90 / Screw M8x90	50.73.073.1
7	1	Rondella in alluminio nera / Black aluminium washer	50.73.221.1
8	2	Boccola / Bush	50.73.381.1
9	2	Silentblock / Silentblock	50.73.380.1
10	1	Distanziale in alluminio / Aluminium spacer (Øe.30 Øi.8,5 h.35)	50.SS.053.1
11	1	Bussola / Bush	50.73.713.0
12	1	Dado M8 flangiato / Flanged nut M8	50.73.393.1
13	1	Tubo di raccordo / Link pipe	9773S042SRX
14	1	Fascetta Ø 52/55 mm / Pipe clamp Ø 52/55 mm	50.FA.008.1
15	2	Molla media / Middle spring	50.73.359.1
16	2	Tubo in gomma per molla / Rubber pipe for spring	50.73.210.1



APPLICAZIONI / APPLICATIONS

CODICE / CODE	TUBO / PIPE	SILENZIATORE / MUFFLER	FASCETTA / CLAMP	CODICE OMOL. / HOMOL. CODE
S.042.LRX	INOX / ST. STEEL	INOX (COPPE CARBONIO) / ST. STEEL (CARBON CAPS)	CARBONIO / CARBON FIBER	ME033 e9 1288
S.042.LRB	INOX / ST. STEEL	STEEL BLACK	CARBONIO / CARBON FIBER	ME033 e9 1288

