



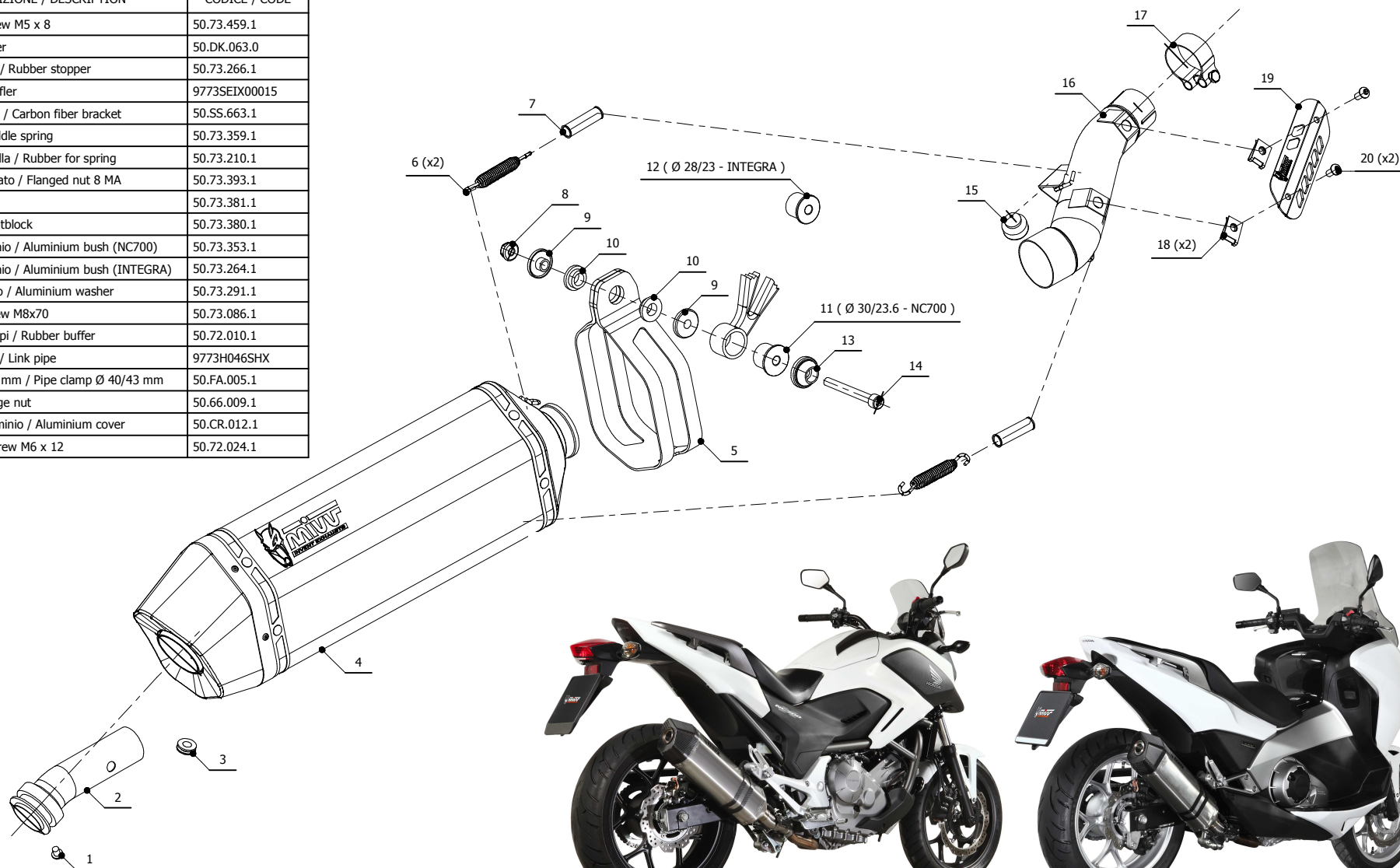
MODEL HONDA INTEGRA 700
HONDA NC 700 S/X
LINE SPORT

YEAR 2012-->
2012-->
MUFFLER SPEED EDGE

SCHEMATIC

ELENCO PARTI / PARTS LIST

#	QTÀ / QTY	DESCRIZIONE / DESCRIPTION	CODICE / CODE
1	1	Vite M5 x 8 / Screw M5 x 8	50.73.459.1
2	1	DB killer / DB killer	50.DK.063.0
3	1	Tappo in gomma / Rubber stopper	50.73.266.1
4	1	Silenziatore / Muffler	9773SEIX00015
5	1	Staffa in carbonio / Carbon fiber bracket	50.SS.663.1
6	2	Molla media / Middle spring	50.73.359.1
7	2	Gommino per molla / Rubber for spring	50.73.210.1
8	1	Dado 8 MA flangiato / Flanged nut 8 MA	50.73.393.1
9	2	Boccola / Bush	50.73.381.1
10	2	Silentblock / Silentblock	50.73.380.1
11	1	Bussola in alluminio / Aluminium bush (NC700)	50.73.353.1
12	1	Bussola in alluminio / Aluminium bush (INTEGRA)	50.73.264.1
13	1	Rondella alluminio / Aluminium washer	50.73.291.1
14	1	Vite M8x70 / Screw M8x70	50.73.086.1
15	1	Gommino paracolpi / Rubber buffer	50.72.010.1
16	1	Tubo di raccordo / Link pipe	9773H046SHX
17	1	Fascetta Ø 40/43 mm / Pipe clamp Ø 40/43 mm	50.FA.005.1
18	2	Dado rapido / Cage nut	50.66.009.1
19	1	Copertura in alluminio / Aluminium cover	50.CR.012.1
20	2	Vite M6 x 12 / Screw M6 x 12	50.72.024.1



APPLICAZIONI / APPLICATIONS

CODICE / CODE	TUBO / PIPE	SILENZIATORE / MUFFLER	FASCETTA / CLAMP	CODICE OMOL. / HOMOL. CODE
H.046.LHX	INOX / ST. STEEL	INOX (COPPE CARBONIO) / ST. STEEL (CARBON CAPS)	CARBONIO / CARBON FIBER	ME008 e9 1176