



MODEL YAMAHA FZ8 / FAZER 8

YEAR 2010-->

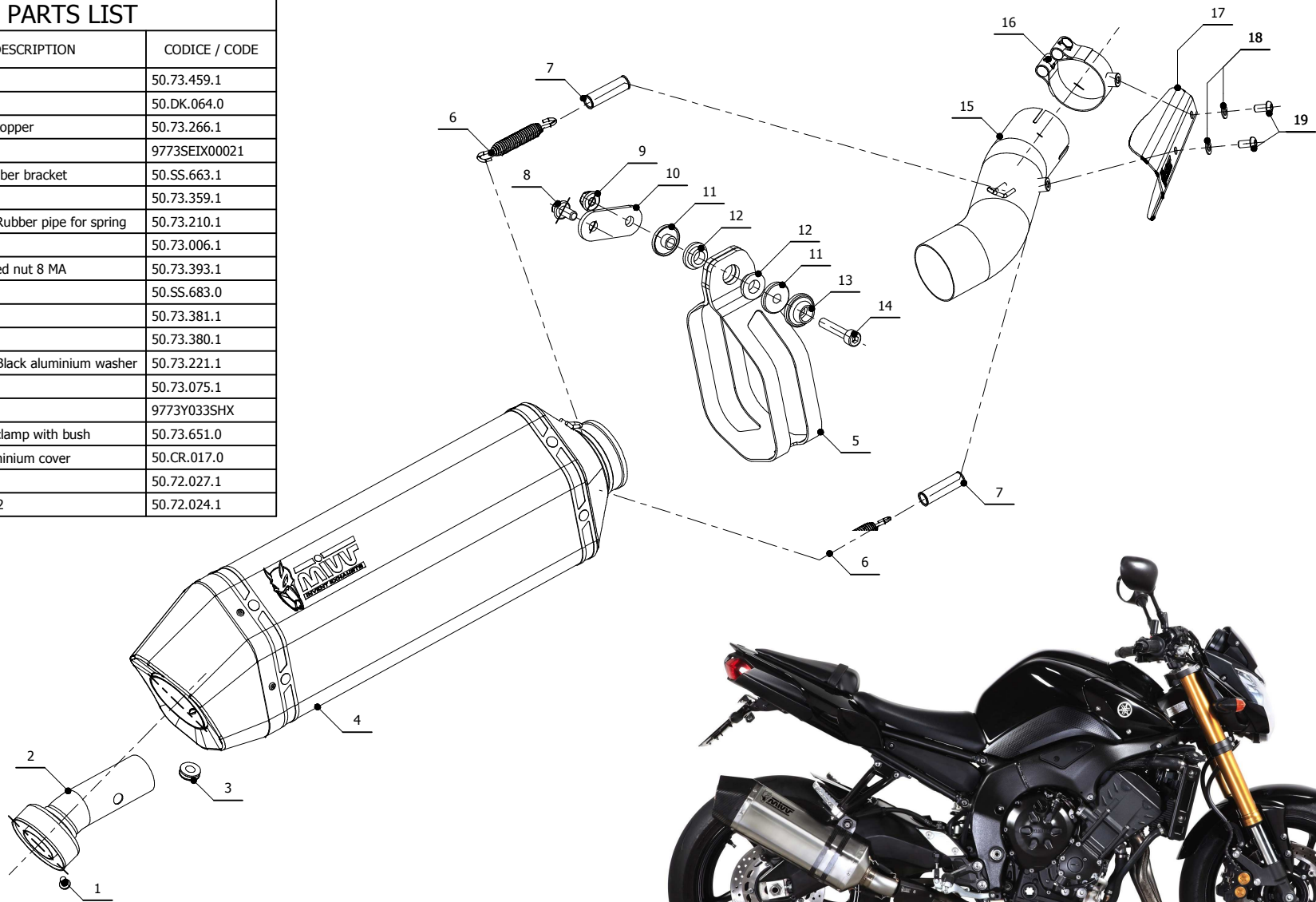
LINE SPORT

MUFFLER SPEED EDGE

SCHEMATIC

ELENCO PARTI / PARTS LIST

#	QTÀ / QTY	DESCRIZIONE / DESCRIPTION	CODICE / CODE
1	1	Vite M5 x 8 / Screw M5 x 8	50.73.459.1
2	1	DB killer / DB killer	50.DK.064.0
3	1	Tappo in gomma / Rubber stopper	50.73.266.1
4	1	Silenziatore / Muffler	9773SEIX00021
5	1	Staffa in carbonio / Carbon fiber bracket	50.SS.663.1
6	2	Molla media / Middle spring	50.73.359.1
7	2	Tubo in gomma per molla / Rubber pipe for spring	50.73.210.1
8	1	Vite M8x16 / Screw M8x16	50.73.006.1
9	1	Dado 8 MA flangiato / Flanged nut 8 MA	50.73.393.1
10	1	Staffa / Bracket	50.SS.683.0
11	2	Boccola / Bush	50.73.381.1
12	2	Silentblock / Silentblock	50.73.380.1
13	1	Rondella in alluminio nera / Black aluminium washer	50.73.221.1
14	1	Vite M8x40 / Screw M8x40	50.73.075.1
15	1	Tubo di raccordo / Link pipe	9773Y033SHX
16	1	Fascetta con bussola / Pipe clamp with bush	50.73.651.0
17	1	Copertura in alluminio / Aluminium cover	50.CR.017.0
18	2	Rondella M6 / Washer M6	50.72.027.1
19	2	Vite M6 x 12 / Screw M6 x 12	50.72.024.1



APPLICAZIONI / APPLICATIONS

CODICE / CODE	TUBO / PIPE	SILENZIATORE / MUFFLER	FASCETTA / CLAMP	CODICE OMOL. / HOMOL. CODE
Y.033.LHX	INOX / ST. STEEL	INOX (COPPE CARBONIO) / ST. STEEL (CARBON CAPS)	CARBONIO / CARBON FIBER	ME047 e9 1356

