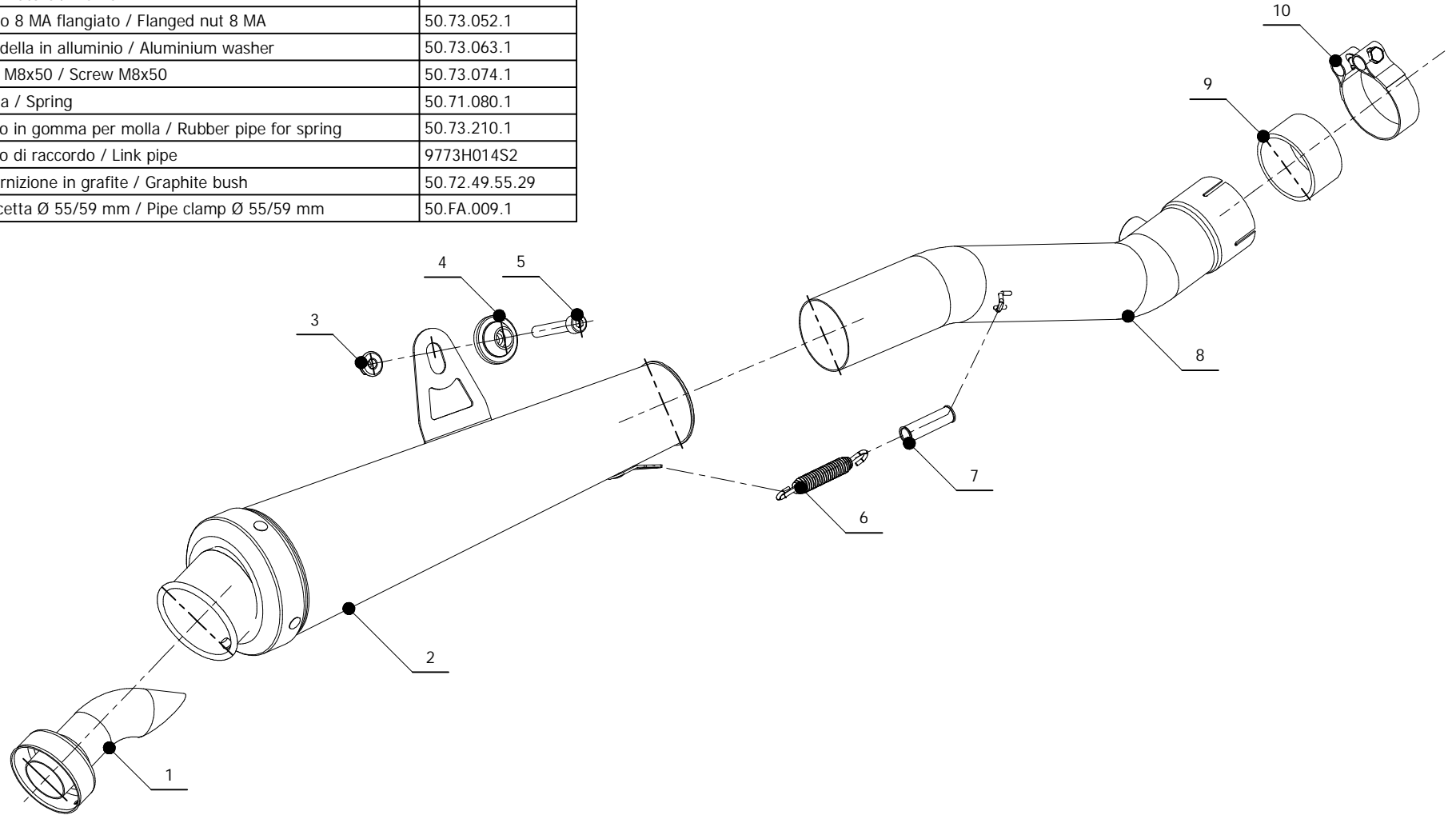


ELENCO PARTI / PARTS LIST

| # | QTA / QTY | DESCRIZIONE / DESCRIPTION | CODICE / CODE |
|----|-----------|--|----------------|
| 1 | 1 | DB killer / DB killer | 50.DK.020.0 |
| 2 | 1 | Silenziatore / Muffler | X-cone |
| 3 | 1 | Dado 8 MA flangiato / Flanged nut 8 MA | 50.73.052.1 |
| 4 | 1 | Rondella in alluminio / Aluminium washer | 50.73.063.1 |
| 5 | 1 | Vite M8x50 / Screw M8x50 | 50.73.074.1 |
| 6 | 1 | Molla / Spring | 50.71.080.1 |
| 7 | 1 | Tubo in gomma per molla / Rubber pipe for spring | 50.73.210.1 |
| 8 | 1 | Tubo di raccordo / Link pipe | 9773H014S2 |
| 9 | 1 | Guarnizione in grafite / Graphite bush | 50.72.49.55.29 |
| 10 | 1 | Fascetta Ø 55/59 mm / Pipe clamp Ø 55/59 mm | 50.FA.009.1 |


APPLICAZIONI / APPLICATIONS

| CODICE / CODE | TUBO / PIPE | SILENZIATORE / MUFFLER | FASCETTA / CLAMP | OMOLOGAZIONE / HOMOLOGATION |
|---------------|------------------------|------------------------|------------------------|-----------------------------|
| H.014.LC3 | INOX / STAINLESS STEEL | INOX / STAINLESS STEEL | INOX / STAINLESS STEEL | OMOLOGATO / HOMOLOGATED |