



MODEL KAWASAKI Z900

YEAR 2017 -->

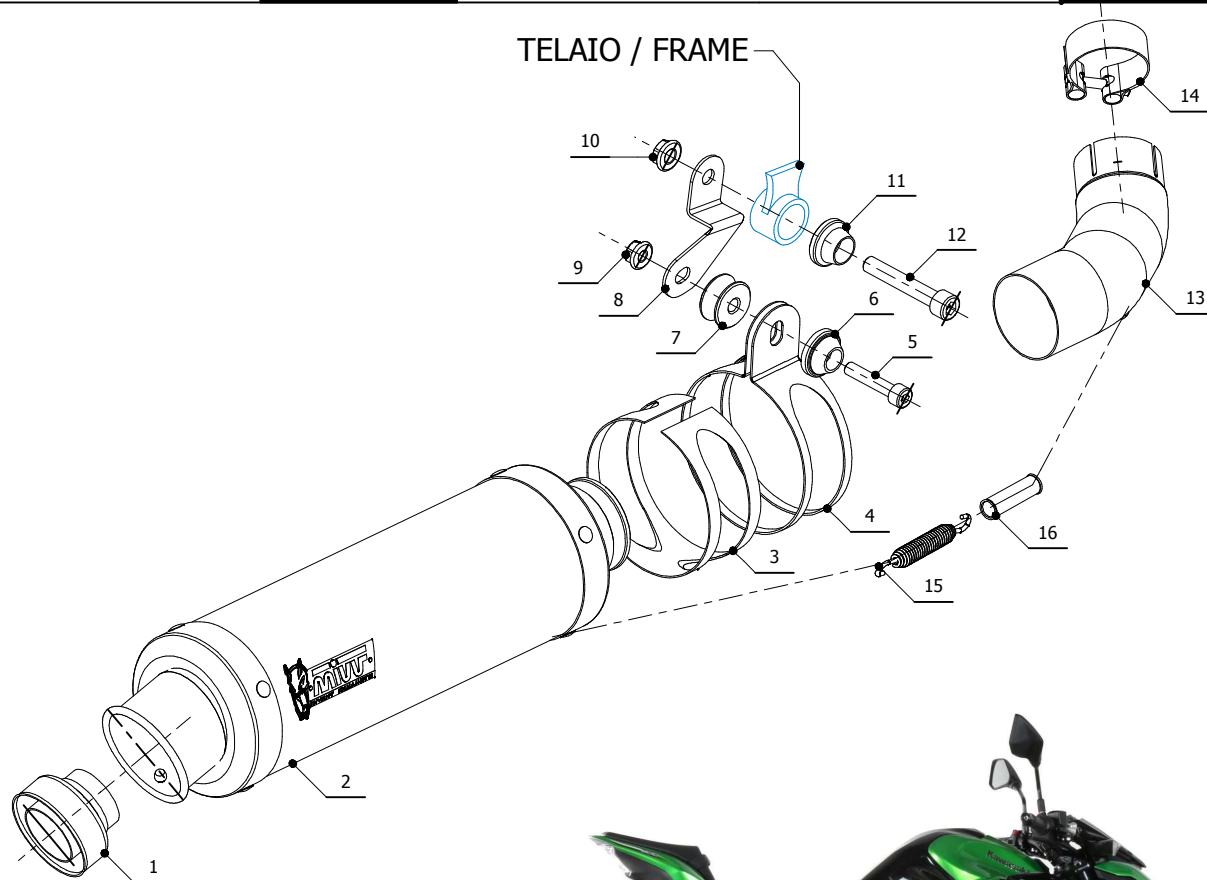
LINE SLIP ON

MUFFLER GP

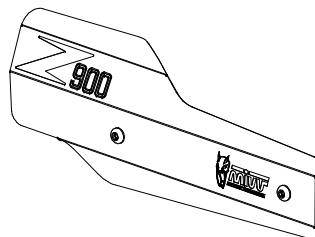
SCHEMATIC

ELENCO PARTI / PARTS LIST

| # | QTÀ / QTY | DESCRIZIONE / DESCRIPTION | CODICE / CODE |
|----|-----------|---|---------------|
| 1 | 1 | DB killer / DB killer | 50.DK.067.0 |
| 2 | 1 | Silenziatore / Muffler | GP |
| 3 | 1 | Protezione per staffa / Bracket protection | 50.73.040.1 |
| 4 | 1 | Staffa / Bracket | 50.SS.001.0 |
| 5 | 1 | Vite M8x40 / Screw M8x40 | 50.73.075.1 |
| 6 | 1 | Rondella alluminio / Aluminium washer | 50.73.291.1 |
| 7 | 1 | Distanziale in alluminio / Aluminium spacer | 50.SS.454.1 |
| 8 | 1 | Staffa / Bracket | 50.SS.991.0 |
| 9 | 1 | Dado M8 flangiato / Flanged nut M8 | 50.73.393.1 |
| 10 | 1 | Dado M10 flangiato / Flanged nut M10 | 50.73.332.1 |
| 11 | 1 | Rondella in alluminio nera / Black aluminium washer | 50.73.330.1 |
| 12 | 1 | Vite M10x60 / Screw M10x60 | 50.73.135.1 |
| 13 | 1 | Tubo di raccordo / Link pipe | 9773K045S2 |
| 14 | 1 | Fascetta Ø 48/51 mm / Pipe clamp Ø 48/51 mm | 50.FA.007.1 |
| 15 | 1 | Molla media / Middle spring | 50.73.359.1 |
| 16 | 1 | Tubo in gomma per molla / Rubber pipe for spring | 50.73.210.1 |



PARTI OPZIONALI / OPTIONAL PARTS



COVER IN ACCIAIO / STEEL COVER
50.CR.037.0



APPLICAZIONI / APPLICATIONS

| CODICE / CODE | MUFFLER / SILENZIATORE | TUBO / PIPE | FASCETTA / CLAMP |
|---------------|-------------------------|------------------|------------------|
| K.045.L2S | CARBONIO / CARBON FIBER | INOX / ST. STEEL | INOX / ST. STEEL |
| K.045.L6S | TITANIO / TITANIUM | | |
| K.045.LXB | STEEL BLACK | | |