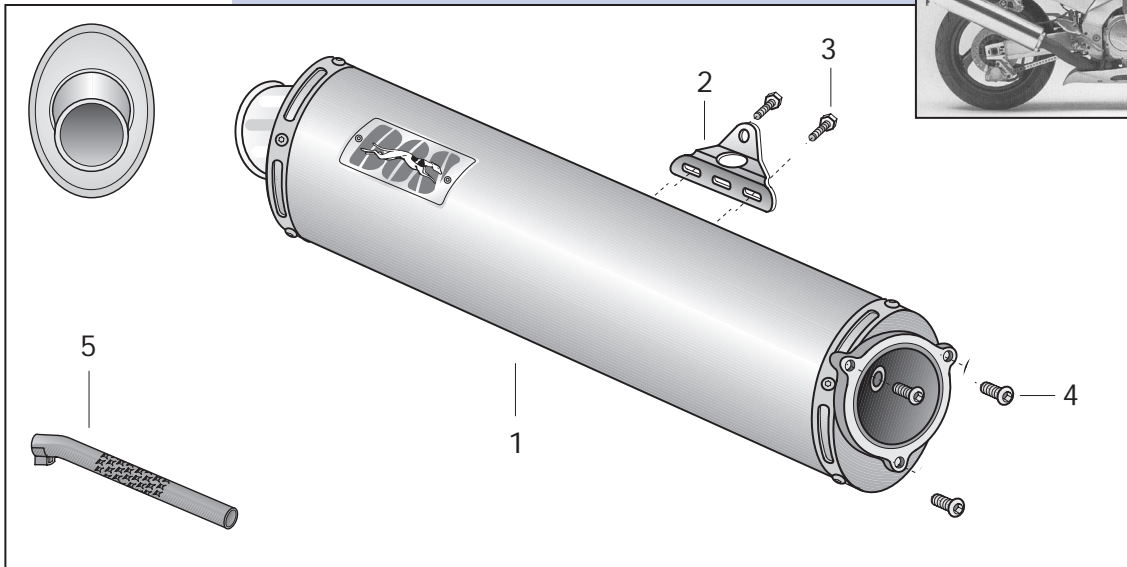
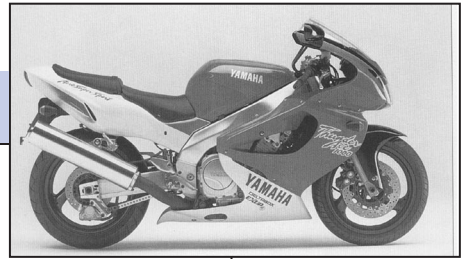


SCREW-ON OVAL



Motorcode

4SV1
4VG1
4VD1
4VF1

PARTS

| Pos | Qty | Description | Aluminium | Carbon | Titanium |
|-----|-----|------------------|-----------|--------|----------|
| 1 | 1 | Muffler sport | 299133 | 299134 | N/A |
| | 1 | Muffler appr. | 299173 | 299174 | |
| 2 | 1 | Mounting bracket | 227070 | ← | |
| 3 | 2 | Bolt M6X20 | 408032 | ← | |
| 4 | 3 | Bolt M8X16 | 408053 | ← | |
| 5 | 1 | dB eater (sport) | 241001 | ← | |

ORDER NUMBER

1310376A - Alu sport

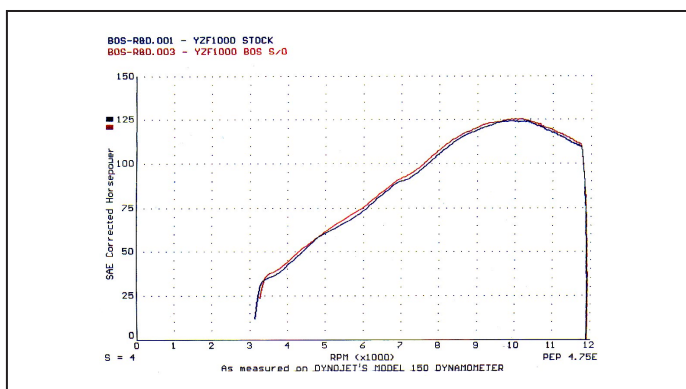
1310376C - Carbon sport

1310376B - Alu approved

1310376D - Carbon approved

Weight original; 4,0 kg, Bos; 2,8 kg

Noiselevel at ... rpm of orig.; ... db(a), Bos; ... db(a)



TIPS

The benefits of using a oval muffler are: better ground-clearance and more volume of the muffler.

We have used our R&D of last year's racing season to produce this muffler.