

MOTOPLASTIC, S.A.

Molí de la sal, 1 - 08403 Granollers (Barcelona) SPAIN

Tel. 34 93 849 06 33 - Fax 34 93 849 09 88

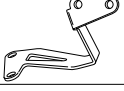

info@puig.tv - info@puigusa.com

www.puig.tv - www.puigusa.com

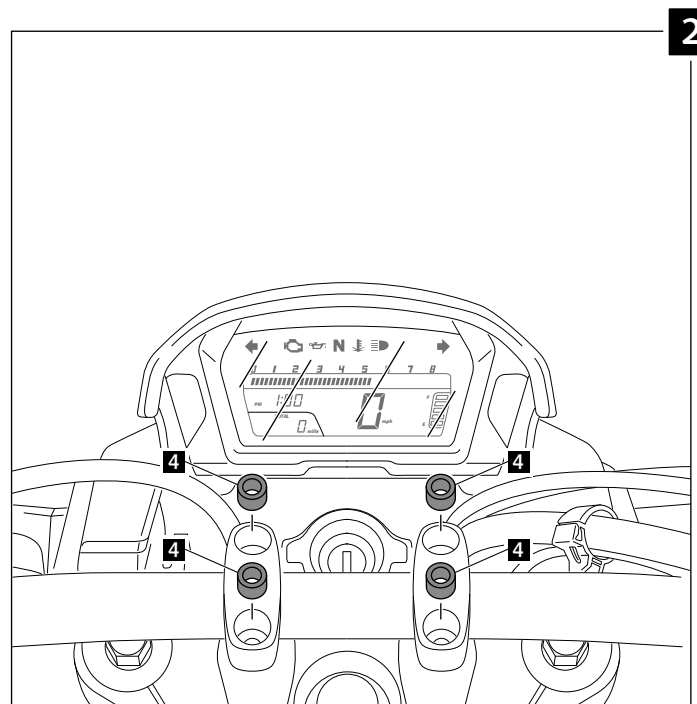
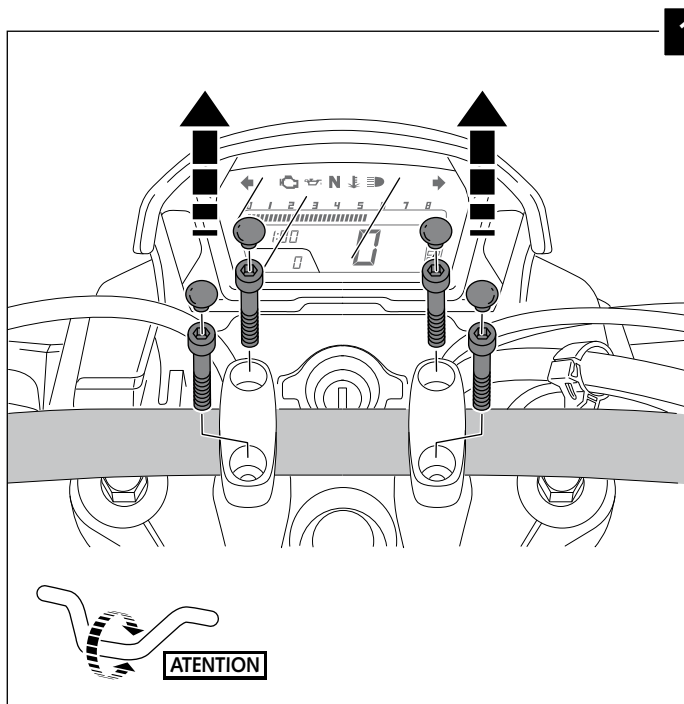
Ref.: 7009

INSTRUCCIONES DE MONTAJE - MOUNTING INSTRUCTIONS - MONTAGEANLEITUNG

CARENABRÍS ADAPTABLE A - WINDSHIELD FOR - SCHEIBE FÜR HONDA CTX700N

| ID. | PIEZA / PART | DESCRIPCIÓN | DESCRIPTION | QTY. |
|-----|---|--|--|------|
| 1 |  | Carenabrís | Windshield | 1 |
| 2 |  | Soporte metálico derecho | Right metal support | 1 |
| 3 |  | Soporte metálico izquierdo | Left metal support | 1 |
| 4 |  | Casquillo Ø int. 8,5 x Ø ext. 13x15 | Ø inner 8,5 x Ø outer 13x15 arrowhead | 4 |
| 5 |  | Tornillo Allen DIN 912 M8x50 | M8x50 Allen screw DIN 912 | 4 |
| 6 |  | Silentblock M5 | M5 silentblock | 4 |
| 7 |  | Arandela de nylon M5x0,5 | M5x0,5 nylon washer | 4 |
| 8 |  | Tornillo Allen M5x16 ISO 7380 (negro) | M5x16 ISO 7380 (black) Allen screw | 4 |
| 9 |  | Separador de silicona Ø16 (TOPE-PA-16DX8- -) | Silicon sticker Ø16mm (TOPE-PA-16DX8- -) | 1 |

Created by: www.cidraffisseny.com



MOTOPLASTIC, S.A.

Molí de la sal, 1 - 08403 Granollers (Barcelona) SPAIN

Tel. 34 93 849 06 33 - Fax 34 93 849 09 88

info@puig.tv - info@puigusa.com

www.puig.tv - www.puigusa.com

INSTRUCCIONES DE MONTAJE - MOUNTING INSTRUCTIONS - MONTAGEANLEITUNG

CARENABRÍS ADAPTABLE A - WINDSHIELD FOR - SCHEIBE FÜR HONDA CTX700N

