

MOTOPLASTIC, S.A.

Molí de la sal, 1 - 08403 Granollers (Barcelona) SPAIN

Tel. 34 93 849 06 33 - Fax 34 93 849 09 88

info@puig.tv - info@puigusa.com

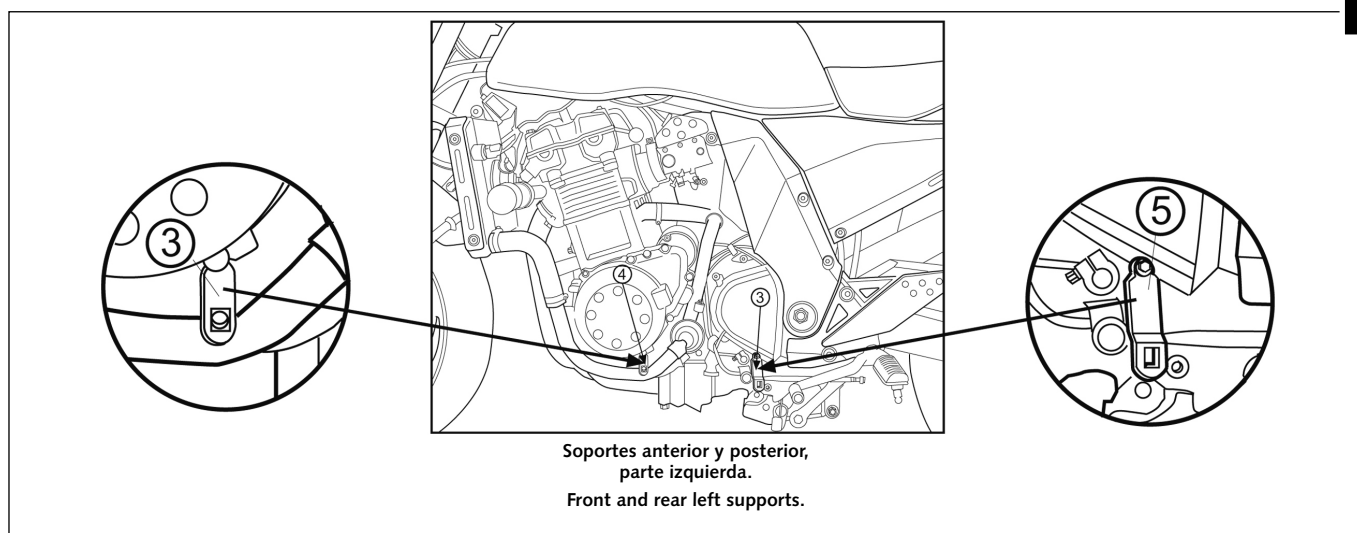
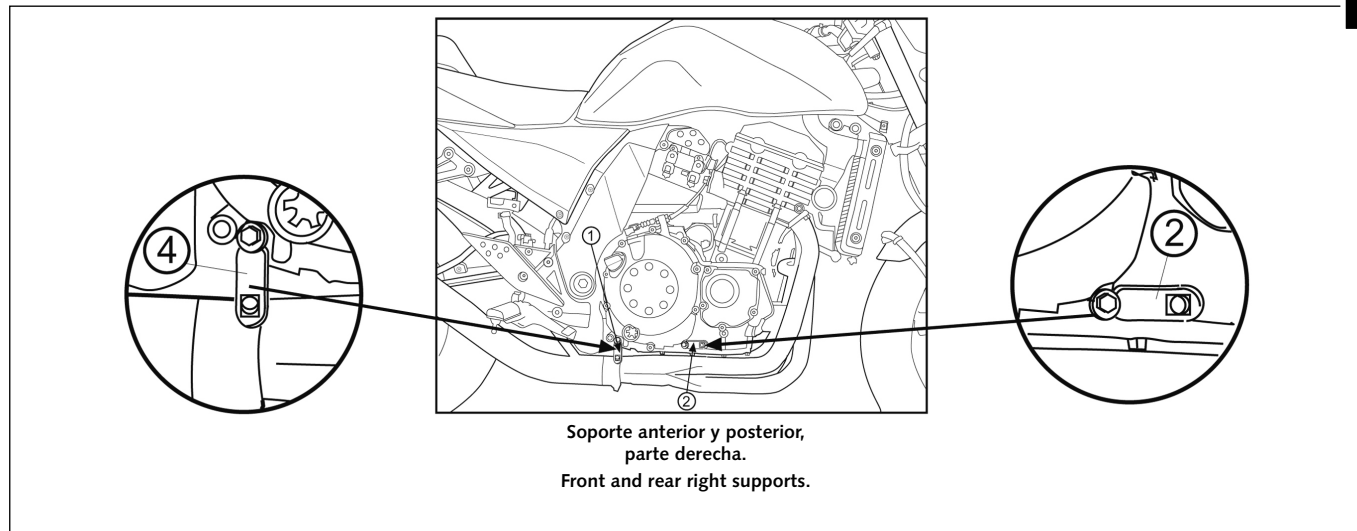
www.puig.tv - www.puigusa.com

## INSTRUCCIONES DE MONTAJE - MOUNTING INSTRUCTIONS - MONTAGEANLEITUNG

### QUILLA ADAPTABLE A – ENGINE SPOILER FOR – BUGSPOILER FÜR KAWASAKI Z750 '04-'06/S '05-'06

Ref.: 1696J  
(color negro/black colour)

Ref.: 1696C  
(color carbono/carbon look)



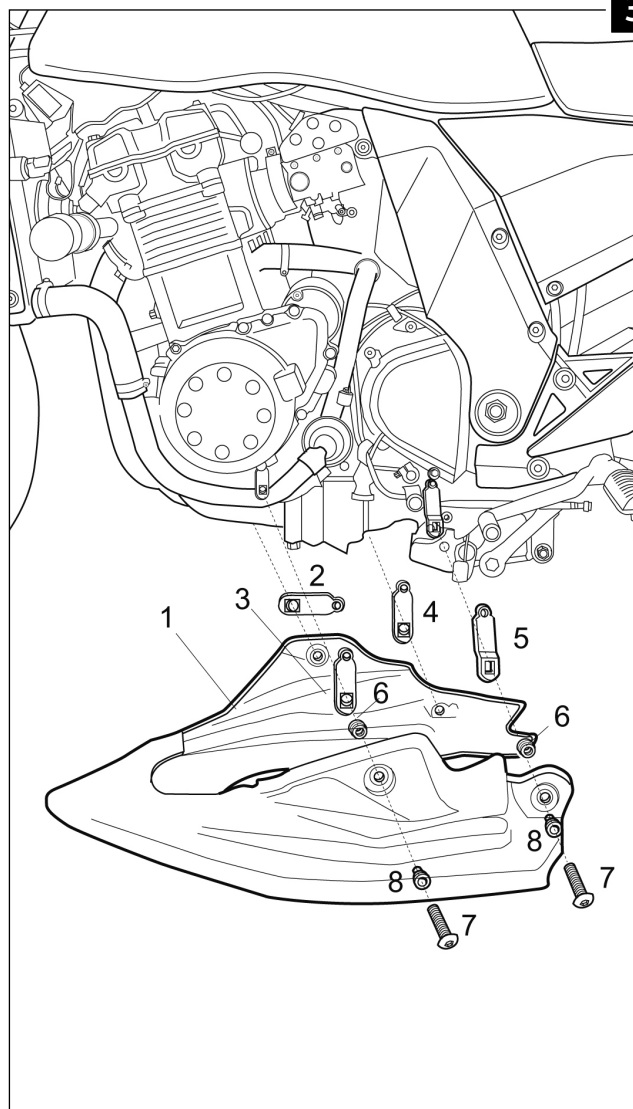
MOTOPLASTIC, S.A.

Molí de la sal, 1 - 08403 Granollers (Barcelona) SPAIN

Tel. 34 93 849 06 33 - Fax 34 93 849 09 88

info@puig.tv - info@puigusa.com

www.puig.tv - www.puigusa.com



## QUILLA ADAPTABLE A – ENGINE SPOILER FOR – BUGSPOILER FÜR KAWASAKI Z750 '04-'06/S '05-'06



ID.	DESCRIPCIÓN	DESCRIPTION	QTY.
1	Quilla	Engine spoiler	1
2	Soporte anterior derecho con tuerca enjaulada M6	Front right support with and inside M6 nut	1
3	Soporte anterior izquierdo con tuerca enjaulada M6	Front left support with and inside M6 nut	1
4	Soporte posterior derecho con tuerca enjaulada M6	Rear right support with and inside M6 nut	1
5	Soporte posterior izquierdo con tuerca enjaulada M6	Rear left support with and inside M6 nut	1
6	Silemblock Ø9Ø11xØ18 (se suministra montado en la pieza1)	Ø9Ø11xØ18 well nut (supplied already manted on the 1 piece)	4
7	Tornillo Allen M6x20 DIN 1001	M6x20 DIN 1001 Allen screw	4
8	Casquillo con valona Ø6,5xØ9,5xØ14x1x8 (se suministra montado en la pieza 1)	Ø6,5xØ9,5xØ14x1x8 arrowhead with valona (supplied already manted on the 1 piece)	4